

Measuring Master MPP3-DUO

- 2K-Dosiersystem
- präzise Mischungsverhältnisse
- auch für Medien mit abrasiven Füllstoffen geeignet
- wartungsarm

Technische Daten			
Model	MPP-3		
Dispensing method	Volume measuring type		
Control method	Digital controlled type		
Dispensing volume range	Standard type	0.0001 to 5 ml	Select any one of them
		0.0001 to 7 ml	
	B1 type	0.0001 to 5 ml	
		0.0001 to 7 ml	
Fluid supply pressure range	0.001 to 0.500 MPa		
Compatible ballels	MUSASHI's ballel (170 to 340ml) Fluid can be supplied from a cartridge or a tank		
Number of channels	400 channels		
Power supply	AC 100 to 240 V		
Power consumption	53 W		
External dimensions	Controller part: W300 x D250 x H111mm (excluding protrusion) Head part: W46 x D83 x H414mm (excluding protrusion not included)		
Weight	Controller part: approx. 5.2 kg		
	Head part: approx. 2.8 kg (excluding ballel and fluid not included)		



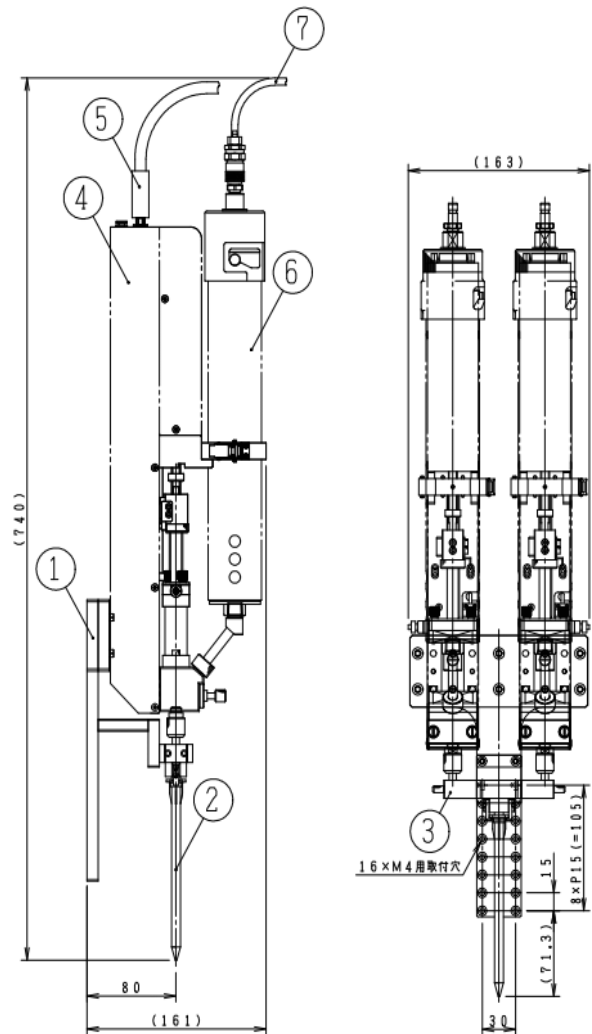
Beispiel mit ShotMaster

Volumetric dispenser for 2 component dispensing

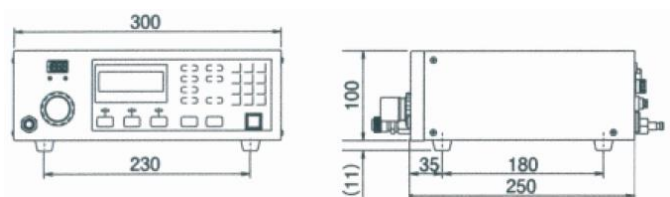
MEASURING MASTER™ MPP

Abmaße

Dispenser



Controller (2x)



Safety precautions

Make sure to read the instruction manual before you use the unit, for your safety

* the specification of the system may change without notice
 * All copyrights are retained by MUSASHI ENGINEERING. Reprinting, reproducing, and/or transmitting as electronic data in whole or in part without prior written permission is strictly permitted

MUSASHI ENGINEERING INC. is certified and registered according to ISO14001 ENVIRONMENTAL MANAGEMENT



www.musashi-engineering.co.jp

HEAD OFFICE

8-7-4 Shimorenjaku, Mitika-shi, Tokyo, 181-0013, Japan, TEL (81) 422 76 7111 / FAX (81) 422 76 7122

Ihr Ansprechpartner vor Ort

autorisierter Vertriebs- und Servicepartner für Deutschland

Automatisierungstechnik Niemeier GmbH

Segelfliegerdamm 94 - 98
 12487 Berlin - Germany

Tel.: ++49 30 5659095-0
 Fax: ++49 30 5659095-60

mail: info@atn-berlin.de
 web: www.atn-berlin.de

