

MUSASHI
ENGINEERING, INC.

For Inline Production
Versatile
Orthogonal Machine

X

CROSS MASTER™

Sx series

Debut

MUSASHI's Inline Motion Unit



CROSS MASTER™

Specifications

Name		CROSS MASTER Sx series			
Model		XM230SX-3A-L-SS XM230SX-3A-R-SS	XM340SX-3A-L-SS XM340SX-3A-R-SS	XM460SX-3A-L-SS XM460SX-3A-R-SS	XM680SX-3A-L-SS XM680SX-3A-R-SS
Number of controlled axes		3 axes			
Control method (*1)		PTP control, interpolation control			
Travel range	X axis	200 mm	300 mm	400 mm	600 mm
	Y axis	300 mm	400 mm	600 mm	800 mm
	Z axis	150 mm			
PTP operation speed setting range (*2)	X axis	1 to 500 mm/s			1 to 470 mm/s
	Y axis	1 to 500 mm/s		1 to 1000 mm/s	1 to 830 mm/s
	Z axis	1 to 300 mm/s			
Interpolation operation speed setting range (*2)	X axis	0.1 to 500 mm/s			0.1 to 470 mm/s
	Y axis	0.1 to 500 mm/s		0.1 to 999.9 mm/s	0.1 to 830 mm/s
	Z axis	0.1 to 300 mm/s			
Interpolation		3D line, 3D circular arc / circular, 3D elliptical arc / ellipse, spline			
Repetitive positioning accuracy (*3)	X axis	±0.01 mm			
	Y axis	±0.01 mm			
	Z axis	±0.01 mm			
Transportable weight (*4)		2.5 kg			
Number of I/O signal points	General-purpose input	20			
	General-purpose output	23			
Program entry method		Teaching pendant and PC			
Display language		Japanese, English, Chinese			
Program capacity (*5)		40,000 steps (999 channels)			
Program storage system	Internal	Internal memory			
	External	Backup by a PC with program editing software			
Program editing software		MuCAD™ V (option)			
Rated power supply and frequency		AC200 to 240 V, 50/60 Hz			
Power consumption		200W		300W	
Main body external dimensions (excluding protrusions)	Width (W)	565 mm	635.5 mm	760 mm	1052.5 mm
	Depth (D)	565 mm	651 mm	923 mm	1,123 mm
	Height (H)	470 mm		490 mm	
Main body weight		25.5 kg	28.5 kg	44.5 kg	67.5 kg
Controller external dimensions (excluding protrusions)		W500 x D340 x H265 mm			
Controller weight		18 kg			
Other functions		Test shot, eject condition CH switching, Synchro Speed™, data transfer with teaching pendant, field network communication			
Other options		Teaching pendant set, external operation box (horizontal / vertical), holder units, test shot unit, nozzle adjuster, nozzle cleaner, signal tower light unit, field network unit (CC-Link)			
Compatible standards		EU RoHS			

*1 PTP control: Each of the specified axes move to the end coordinate at a set speed.

Interpolation control: Each of the specified axes move to the end coordinate at an interpolated composite speed.

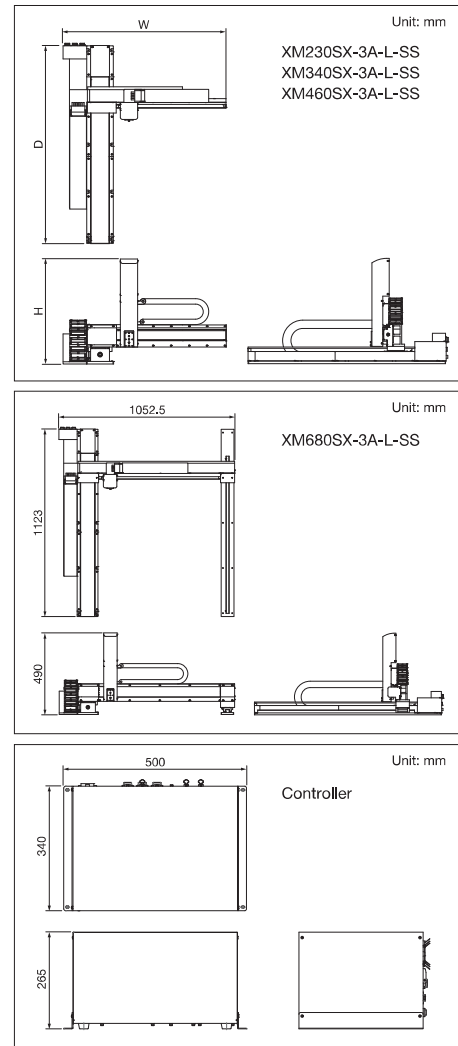
*2 Varies according to factors such as the weight of the object mounted, the object's center of gravity, and the operation performed

*3 This value is measured using Musashi's prescribed method (measurement method consistent with JIS).

*4 When options are not mounted; varies according to the set speed, set acceleration / deceleration time, and operation mode

*5 Main routine: 1 to 99 CH, sub routine: 100 to 999 CH

External dimensions



XM230SX-3A
(Left type)



XM340SX-3A
(Left type)



XM460SX-3A
(Left type)



XM680SX-3A
(Left type)



Controller



World Leading Dispenser
MUSASHI ENGINEERING, INC.

<http://www.musashi-engineering.co.jp/english/>

HEAD OFFICE
8-7-4, Shimorenjaku, Mitaka, Tokyo, 181-0013, Japan TEL : (81)422-76-7111 / FAX : (81)422-76-7122
BRANCH
TOKYO, OSAKA, NAGOYA, SENDAI, FUKUOKA, SAITAMA, NAGANO, EAST-KANTO, AKITA, KANAZAWA

autorisierter Vertriebspartner für Deutschland
ATN Automatisierungstechnik Niemeier GmbH



Segelfliegerdamm 94-98
D-12487 Berlin, Germany

Tel.: ++49 30 565 9095-0
Fax: ++49 30 565 9095-60

mail: info@atn-berlin.de
web: www.atn-berlin.de